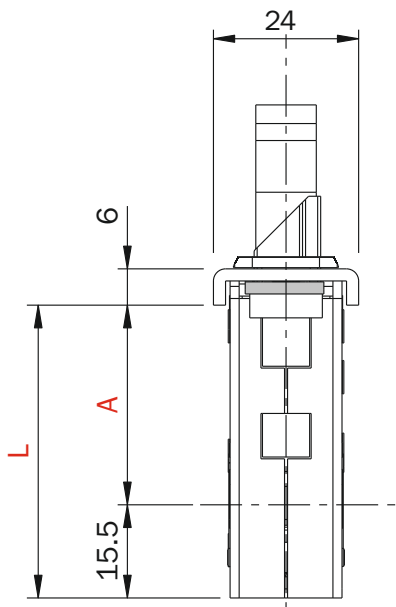
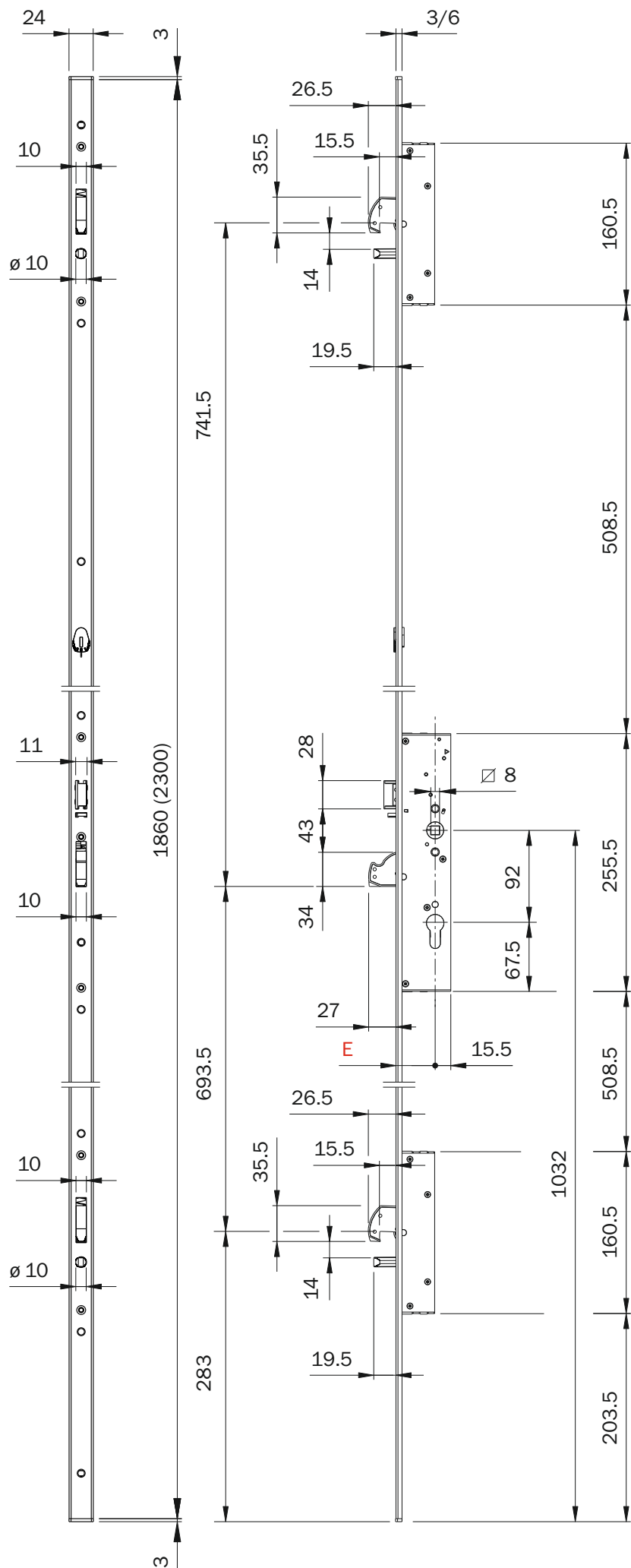
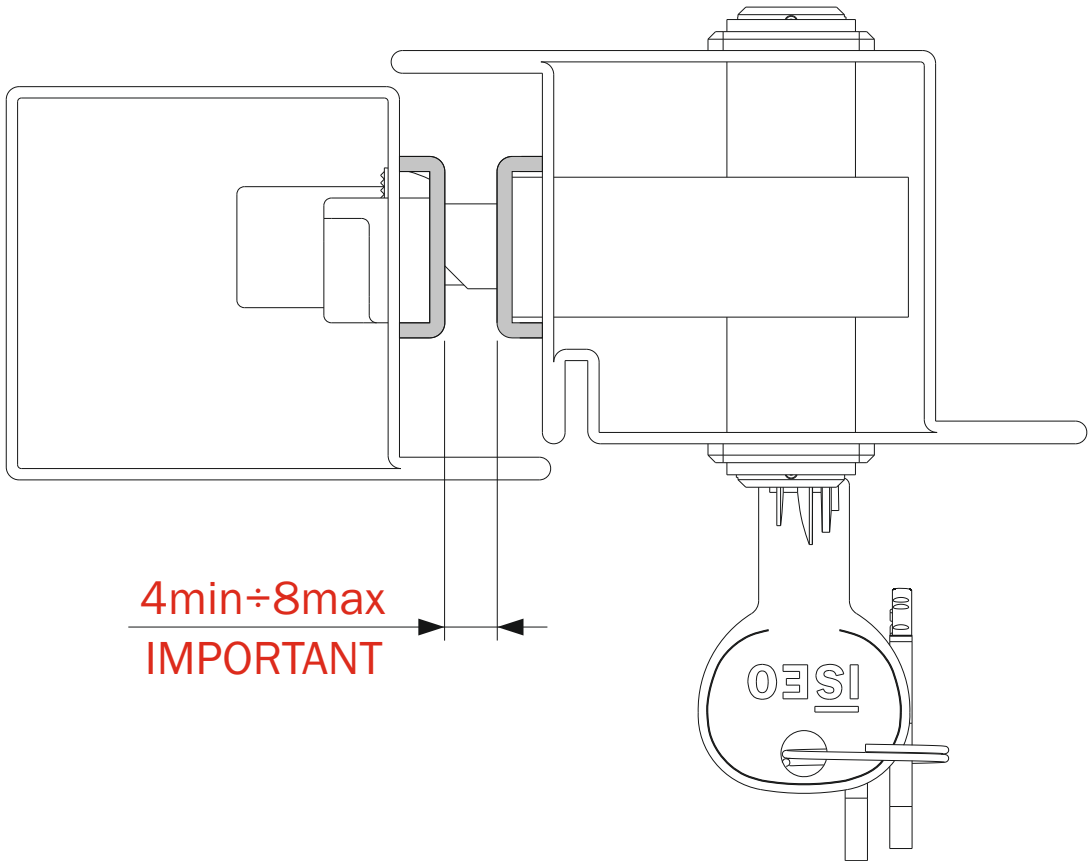
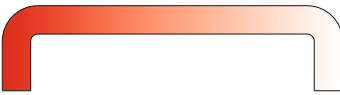
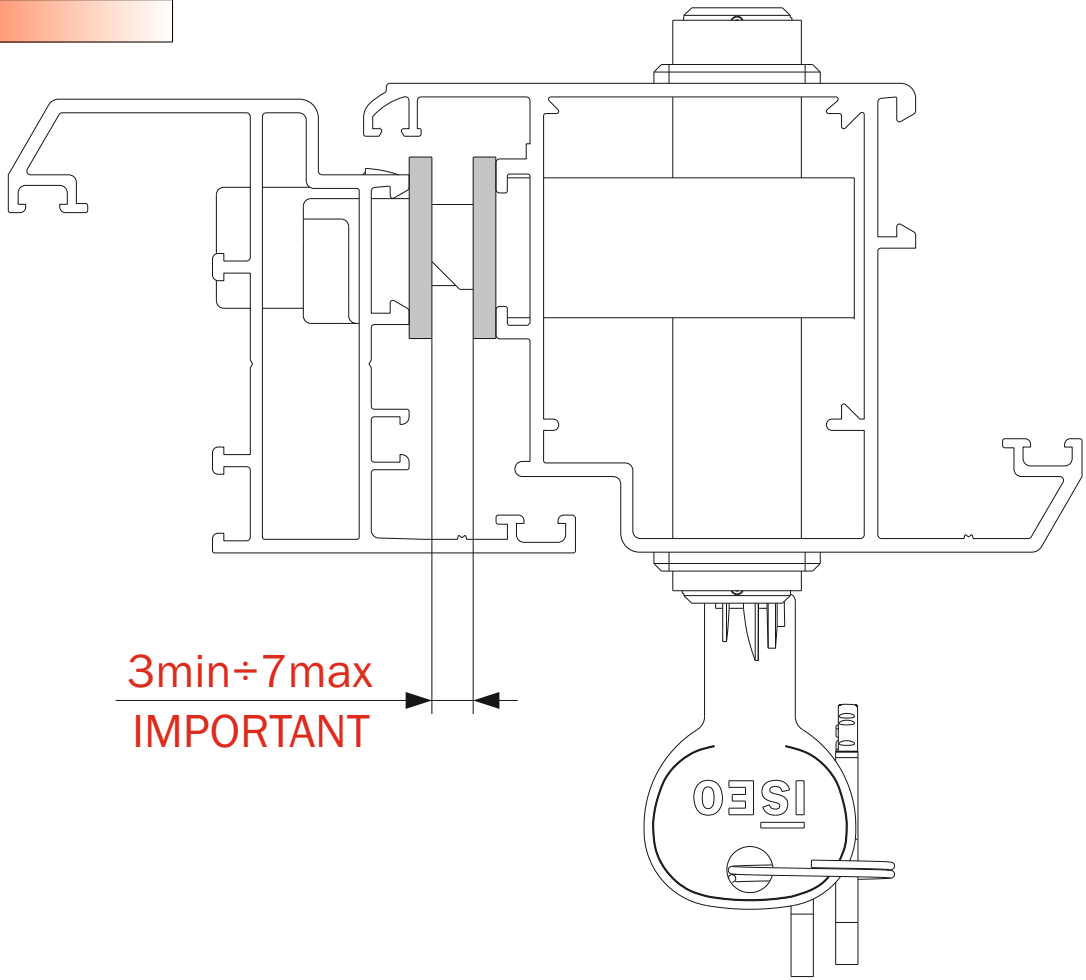


Cod.	E	A	L
7A3210 <b>352</b> .*	35	32	47.5
7A3210 <b>402</b> .*	40	37	52.5
7A3210 <b>452</b> .*	45	42	57.5
7A3210 <b>502</b> .*	50	47	62.5
7A3210 <b>552</b> .*	55	52	67.5
7A3210 <b>602</b> .*	60	57	72.5
7A3210 <b>652</b> .*	65	62	77.5

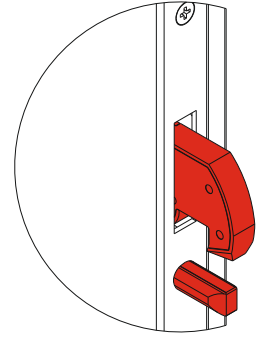
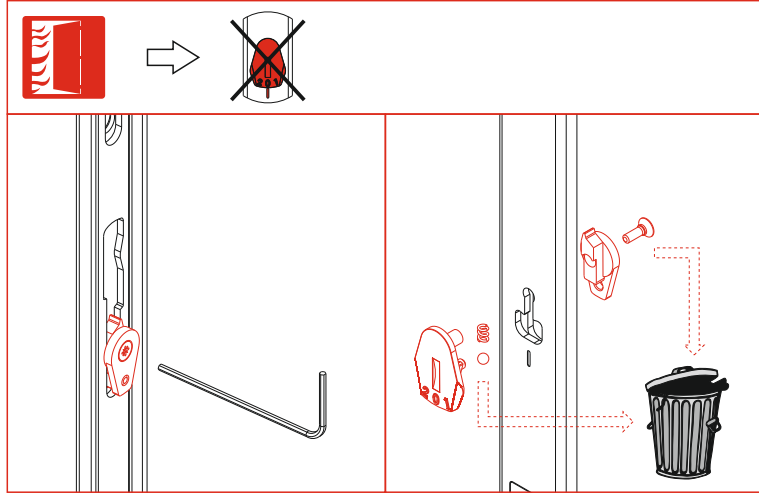
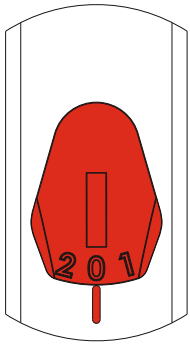


Cod.	E	A	L
7A320* <b>352</b> .*	34	28	43.5
7A320* <b>402</b> .*	39	33	48.5
7A320* <b>452</b> .*	44	38	53.5
7A320* <b>502</b> .*	49	43	58.5
7A320* <b>552</b> .*	54	48	63.5
7A320* <b>602</b> .*	59	53	68.5
7A320* <b>652</b> .*	64	58	73.5

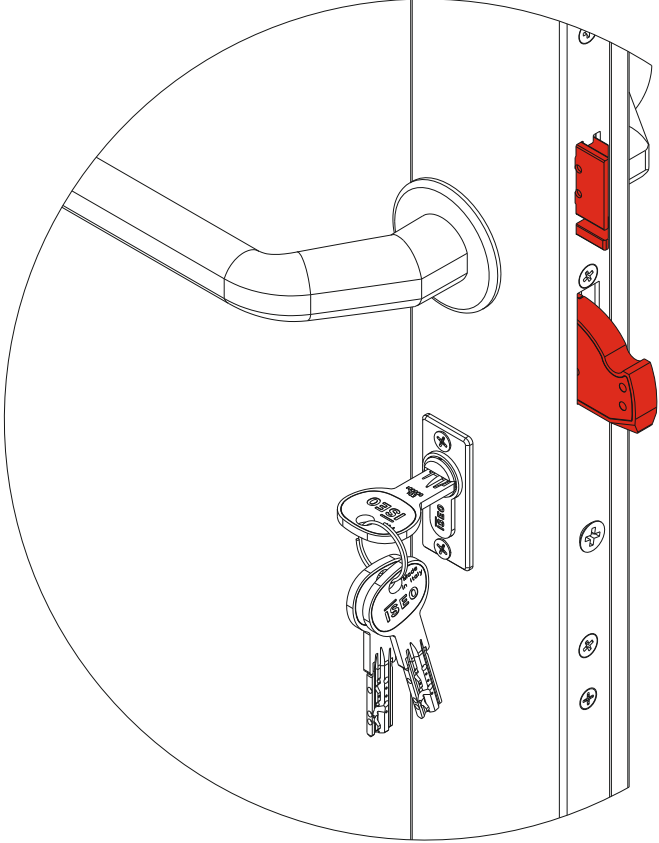
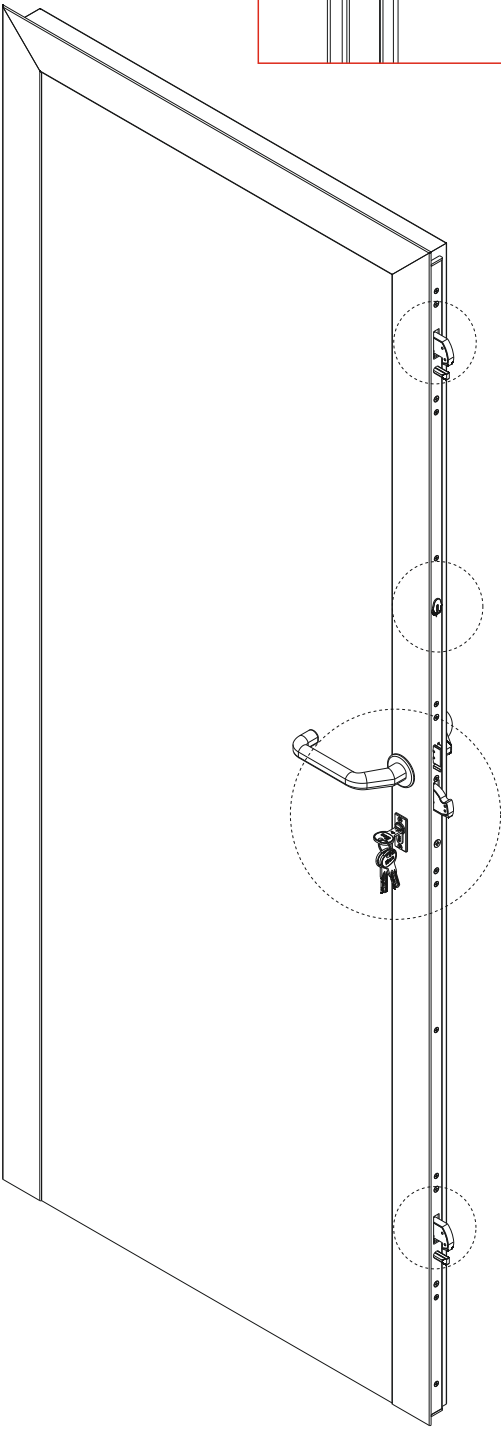
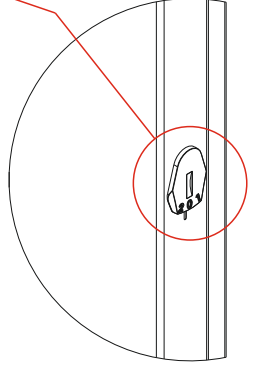




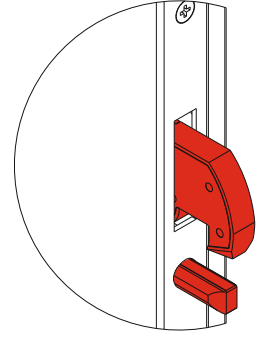
# TOTAL "0"



**AUTOMATIC LOCK**

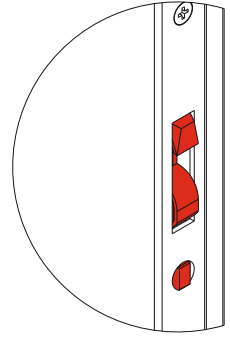
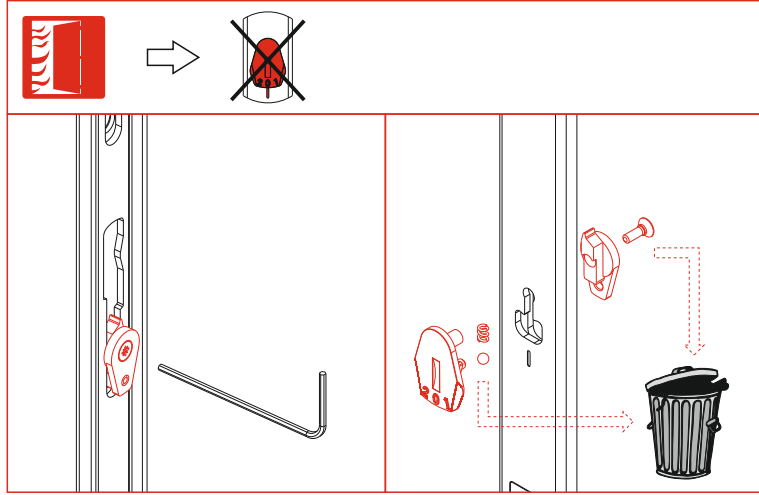
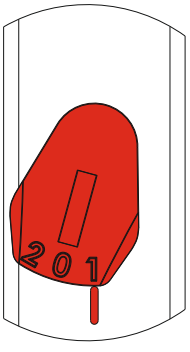


**AUTOMATIC LOCK**

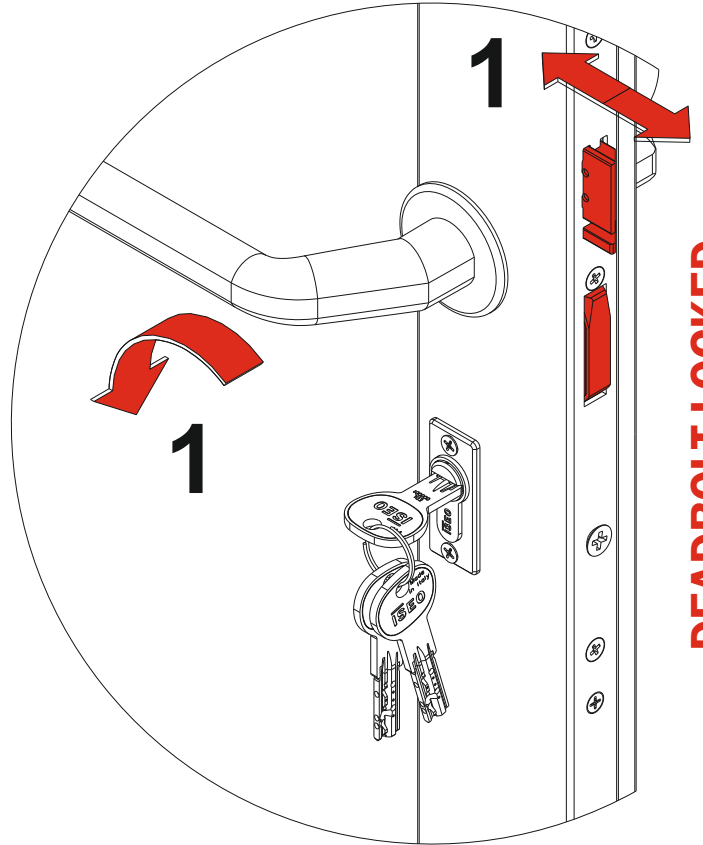
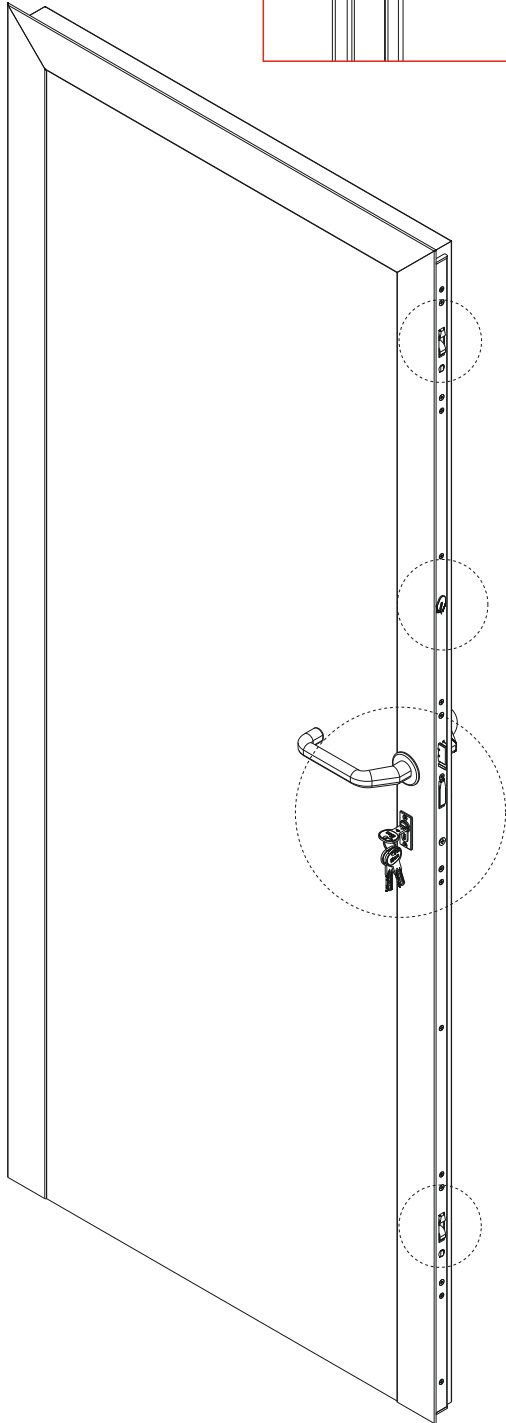
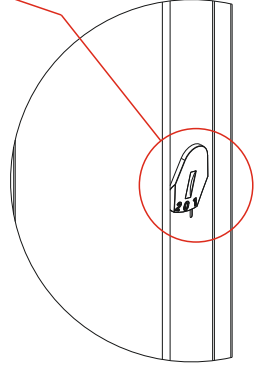


**AUTOMATIC LOCK**

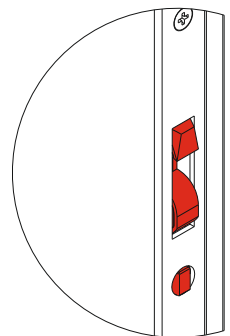
# LIGHT "1"



**HOOK LOCKED**

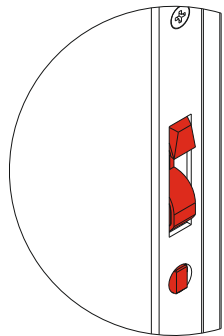
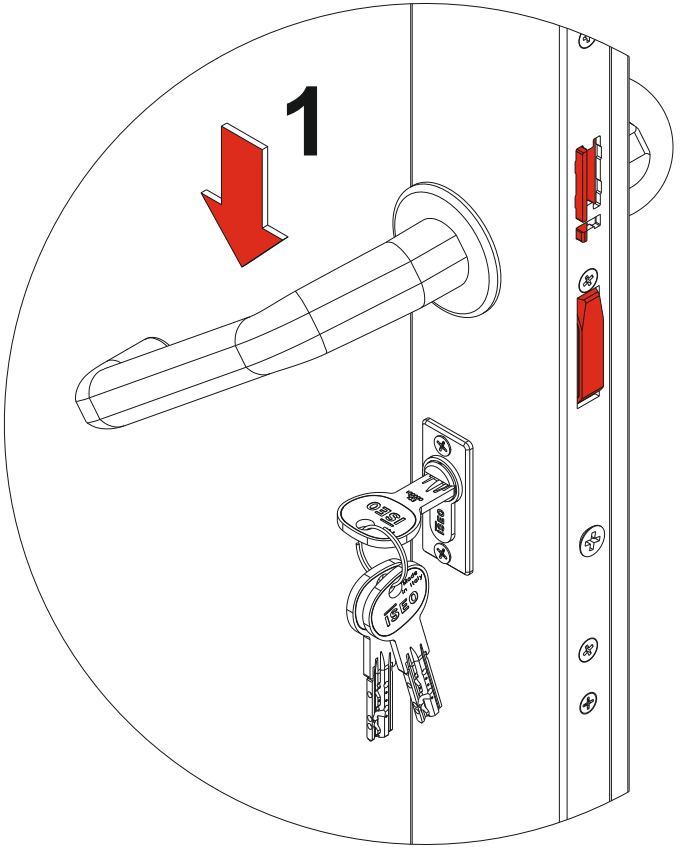
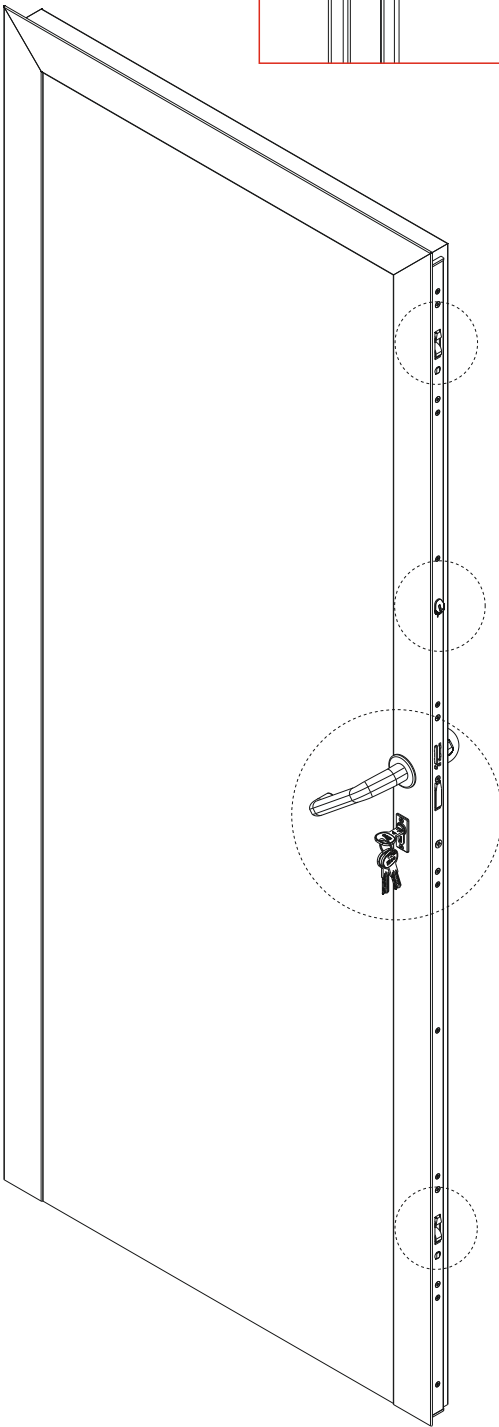
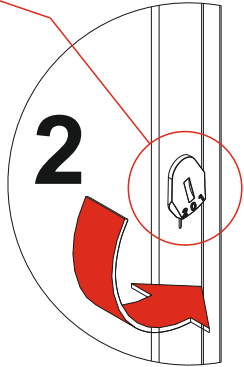
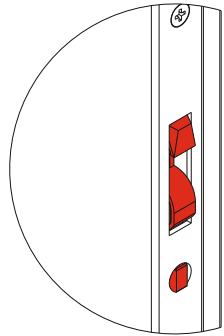
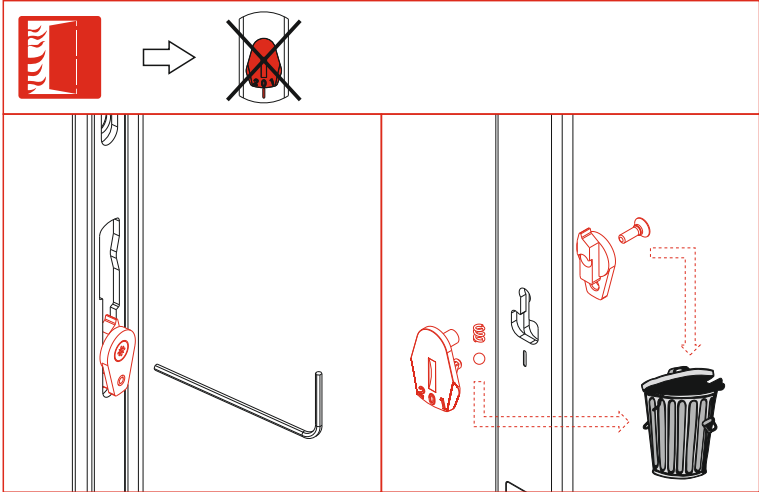
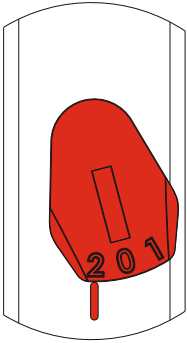


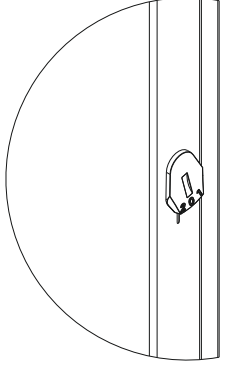
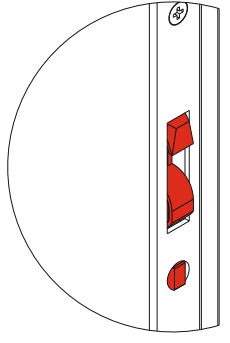
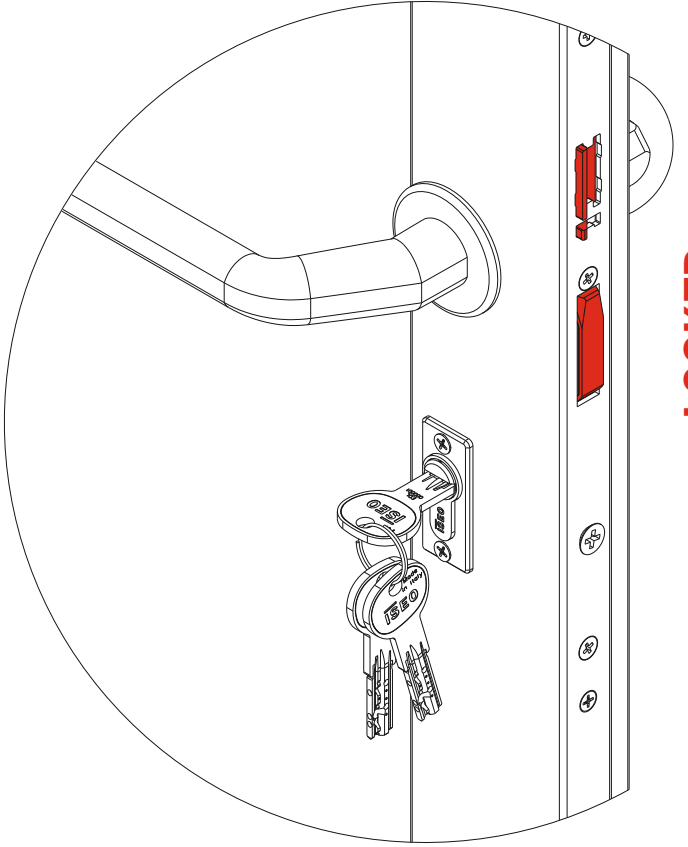
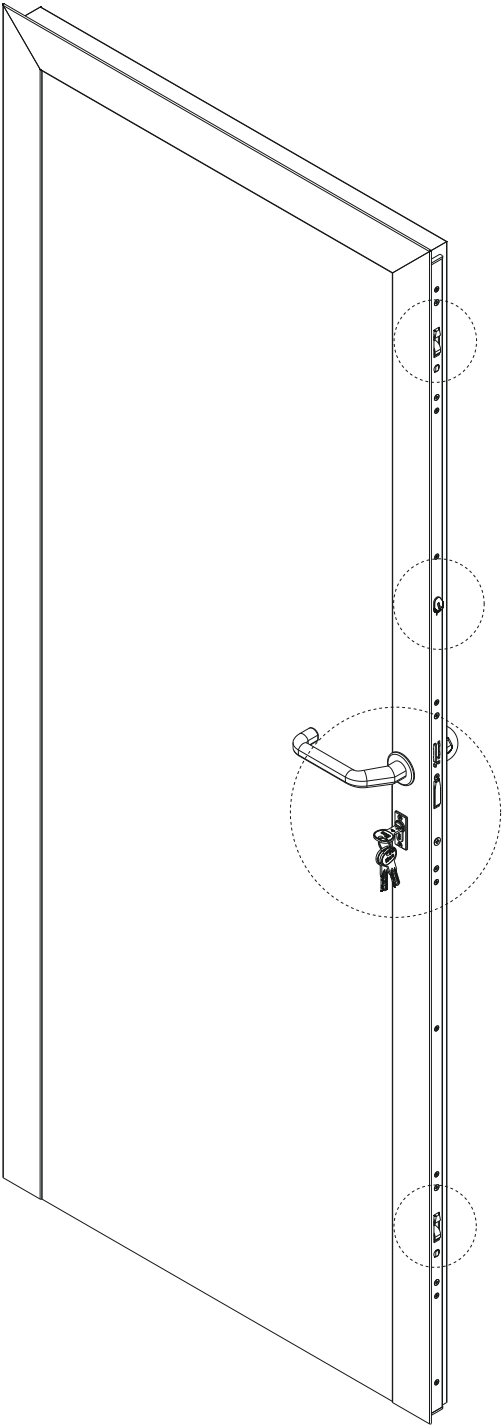
**DEADBOLT LOCKED**



**HOOK LOCKED**

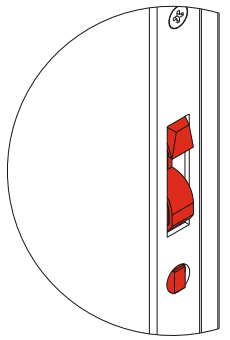
# FREE "2"





**LOCKED**

**LOCKED**



**LOCKED**